

BELLHOUSING ASSEMBLY INSTRUCTIONS

The bellhousing is a connecting element between an electric motor and hydraulic pump.

GENERAL INFORMATION

Read these assembly instructions carefully and pay particular attention to the safety instructions!

GENERAL HAZARD WARNING

Before you begin the assembly or disassembly you should ensure that the equipment is switched off and that it cannot be inadvertently switched on.

APPROPRIATE USE

The bellhousing is to be used exclusively for the technical information according to the manufacturer's data. The manufacturer accepts no liability for damages which occur through structural alterations or inappropriate use.

ASSEMBLY OF THE BELLHOUSING

The bellhousing, which is delivered ready-to-assemble, is screwed over the double-sided centring device with the motor and pump components.

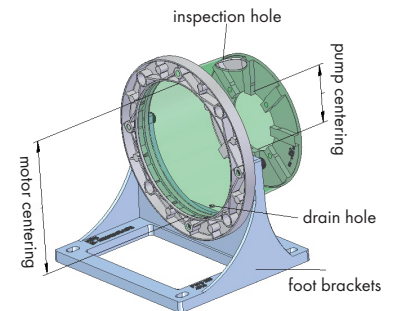
(For assembling the coupling please see coupling instructions.)

Only the designated tapped holes should be used to attach the pump holder to the motor.

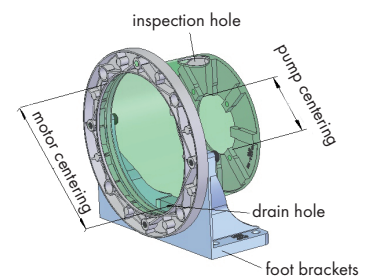
The thread length in the bellhousing must be fully utilised. The screw lengths should be defined accordingly on the motor side and the pump side.

When using together with a foot bracket, the screws used to attach the motor in the foot bracket area should be of a length which allows them to protrude through the foot bracket and to be attached with a nut.

Mounting Direction PTFS



Mounting Direction PTFL



Please pay attention to the mounting direction of the bell housing. See figures above.

SCREW TORQUE

Cheese head screw according to DIN 912 8.8	Torque ¹⁾
M8	12 Nm
M10	23 Nm
M12	40 Nm
M16	100 Nm
M20	190 Nm

¹⁾ Screw torque of the strength category 5.6

For safety purposes, the screws should generally be used with the appropriate, standard adhesives.

Ventilation, assembly and leak oil holes drilled into the side of the bellhousing should be sealed according to size and so that contact from the parts rotating in the bellhousing is not possible.

HBE offers sealing plugs or grating for this purpose.

If a requirement of the bellhousing is that it is oil-proof, this should be indicated in the order.

