

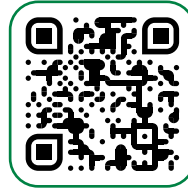
Oleotec DP1-series

Battery Powered Digital Datalogging Pressure Gauges



Oleotec DP1-series

The Oleotec DP1-series digital pressure gauges are designed for precise measurement in both stationary and mobile settings, providing real-time display and data logging. Ideal as reference tools, they simplify the checking, adjustment, and calibration of other pressure measurement devices directly in the field. These gauges offer an affordable solution for digital pressure testing and recording, with superior accuracy and traceability compared to standard gauges. They are compatible with the free **DataPressure Bluetooth App** for Bluetooth monitoring and data logging, allowing continuous peak recording for up to 48 hours.



Ordering code	Measuring range	Resolution
DP1 -(-1 16)	-1...16 bar	1 mbar
DP1 -60	0...60 bar	10 mbar
DP1 -250	0...250 bar	100 mbar
DP1 -400	0...400 bar	100 mbar
DP1 -700	0...700 bar	100 mbar
DP1 -1000	0...1000 bar	100 mbar

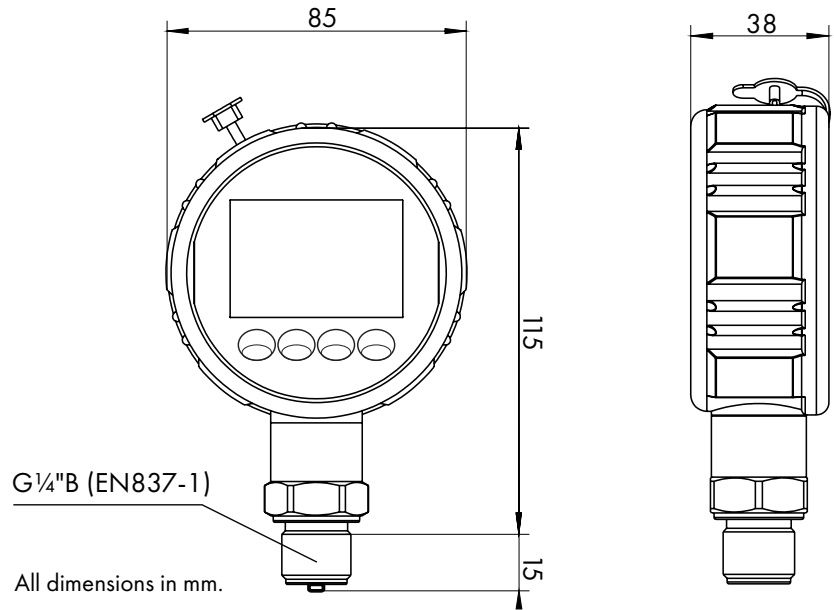
Device and operation overview



- 1 Bar graph display with maximum pointer function, 33 segments
- 2 Actual pressure display, digit height 15 mm
- 3 Unit display / recording series display
- 4 Battery status display, 5 segments
- 5 Additional display MIN / MAX value, full scale pressure value or temperature (°C or °F) – digit height 8 mm
- 6 USB-C connection to PC / laptop for data transfer and software updates
- 7 Control buttons

On/Off	Switch device on or off
Light	Backlighting (20 s)
Menu	device settings
Unit	Select measurement units (see technical data)
Zero	Zero point correction up to 5 % of full scale pressure value
Mode	Show MIN/MAX, Temp (°C or °F) or gauge F.S.
Rec	Start or stop data logger
Set	Delete MIN/MAX value or confirm input

Technical drawing



Technical data

Pressure ranges	Between -1...1000 bar
Accuracy ±(% of full scale pressure value)(FS)	0.2 %
Pressure units	bar/mbar, kPa/MPa, PSI, kg/cm ² , mH ₂ O, inH ₂ O, ATM
Display type	Multifunctional LCD, 4 1/2 digit, with background lighting
Display functions	Bar graph, pressure unit, display filter, MIN/MAX value, Overpressure indicator 110 % of full scale pressure value (FS)
Pressure measuring cell	≤ 10 bar piezo resistive, ≥ 20 bar thin film strain gauge
Temperature compensation	0...50 °C
Temperature error	0.005 % of full scale pressure value (FS) / K
Connection type	G 1/4\" EN 837
Process connection material	Stainless steel 1.4404
Medium temperature	-20...80 °C
Housing connection	330° axially rotatable
Degree of protection DIN EN 60529	IP67
Dimensions	Ø 90 mm, D=45 mm H=120 mm with protection cap
Materials	Cast zinc with protection cap made of TPE
Ambient conditions	0...50 °C with air humidity ≤85 % r.h.
Weight	540 g
Auto-off function	Selectable switch-off
Battery type	3x 1.5 V AAA
Battery operation	1500 h
Datalogger max. data sets	27000 per recording series
Datalogger record series	1...10
Max. recording duration	48 h
Data set information	time / actual pressure / MIN/MAX value
Digital data transmission	serial USB 2.0 via USB-C port
PC software	Detection as USB data storage device, spreadsheet program (Excel)
File format	.csv
Mobile device software	Compatible with DataPressure Bluetooth iOS and Android apps for display and datalogging
Certificate (optional)	UKAS 5-point calibration certificate, recognised by Accredia

Datalogger function

- 10 recording series possible.
- 27,000 data sets per recording series.
- Each data record contains time, date, actual pressure, and MIN/MAX value.
- Summary of all MIN/MAX values per record series
- Plug & Play USB connection means no additional drivers or software required.
- Data stored and transferred in CSV (plain text) format so no need for conversion. Open directly in spreadsheets or databases (MS Excel, MS Access, Apple Numbers, LibreOffice, OpenOffice, etc).
- Intelligent automatic measuring intervals mean the time between data-sets (storage rate) is selected automatically depending on the recording duration (see table below).

Kit contents

- DP1 digital datalogging gauge.
- Robust protective plastic carry-case.
- USB data stick for storage of CSV data files.
- USB-C to USB-A connecting cable for data transfer to PC/laptop and software updates.

DataPressure Bluetooth App



The **DataPressure Bluetooth App** is the quickest and easiest way to add real-time pressure and temperature monitoring and advanced data logging to your system. Our intuitive, wireless technology puts everything in your hands via your smartphone. The gauges connect seamlessly to the free **DataPressure Bluetooth App**, available on iOS and Android, allowing real-time monitoring and data tracking anytime, anywhere. Whether optimising efficiency or ensuring safety, this app offers a smart and convenient solution for modern, hassle-free pressure management.



Oleotec S.r.l.

Via Varese 19 | 21050 Cantello (VA) | Italy
Phone +39 03 32 / 41 97-11 | info@oleotec.it | oleotec.it



A company of
e.holding
FLUID TECHNOLOGY GROUP