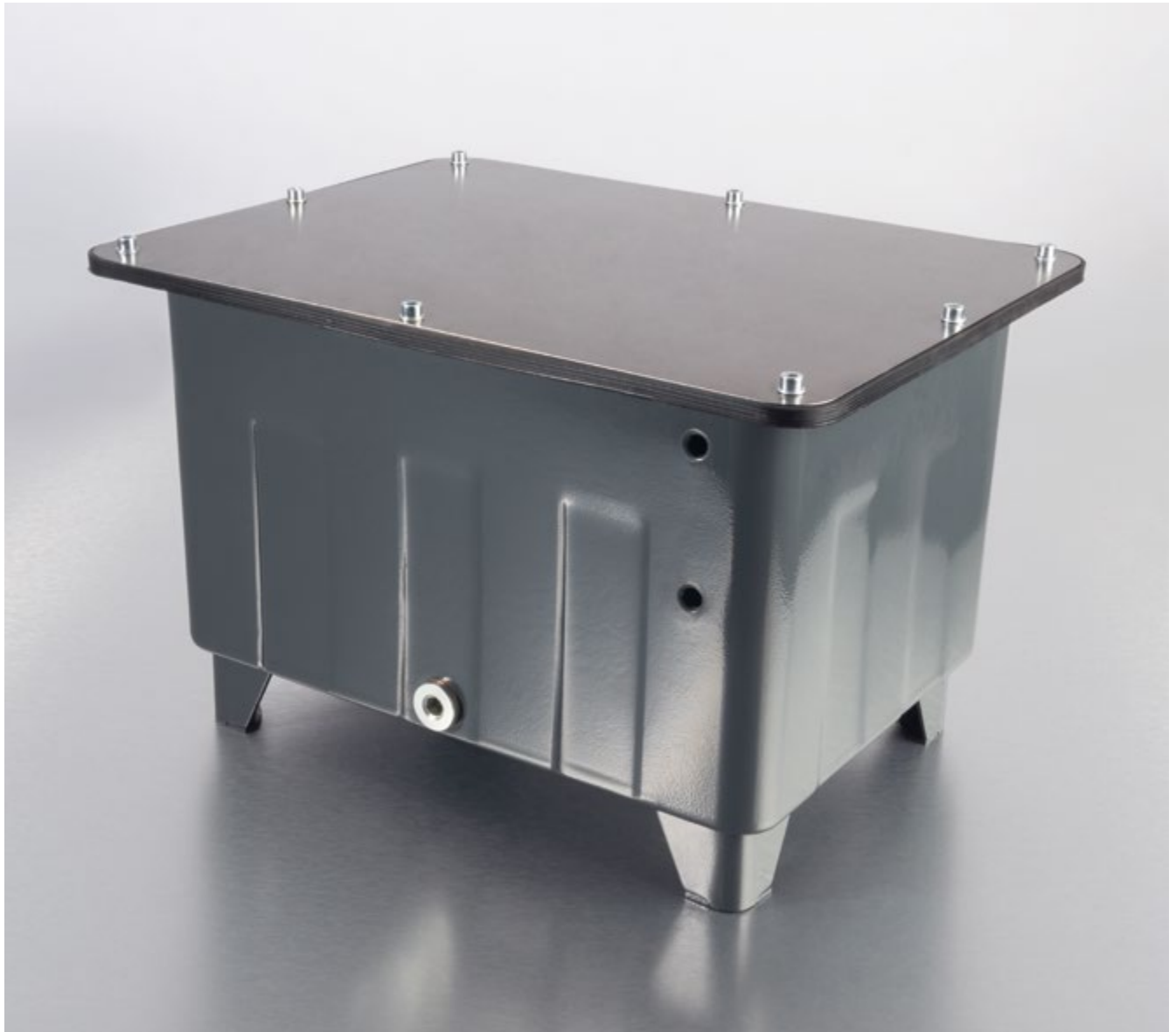




**OIL TANKS WELDLESS STEEL**

**OIL TANKS  
WELDLESS STEEL**

## OIL TANKS WELDLESS STEEL



### CONTENT

Product description / Order code	21
Dimensions tanks	22
Dimensions lids	23
Dimensions gasket	25

## SERIES WLST

### PRODUCT DESCRIPTION

- Weldless tanks produced by the deep drawing process
- Guarantee a 100% tightness
- High stability and weldless structure
- Thus, the tanks meet highest demands of various hydraulic applications
- Low weights are minimising freight costs
- Epoxy powder coating in RAL 7011 (iron grey) for a high level surface protection and an aesthetic appearance
- Delivery content (standard): NBR lid gasket, blank steel lid, drain plug, bores for level indicator and welded steel feet
- On request: individual machining of tank lids for extra charge
- Specially designed lid gaskets prevent leakage oil dripping down
- Vibration damping characteristics
- Short lead times due to stocking of tank sizes  
WLST-6-12-25-40-70-100-160-250



Order code			
Type	Size*	Filler connection**	Heater connection**
WLST	25	EA	HA

\* Size corresponds to the net volume of the tank

\*\* optional lid machining

### STANDARD DELIVERY CONTENT

- Epoxy powder coating RAL 7011 (iron grey)
- Welded steel feet
- Steel lid
- NBR 70° Shore gasket with oil catcher
- Oil drain plug
- Bores for level indicator

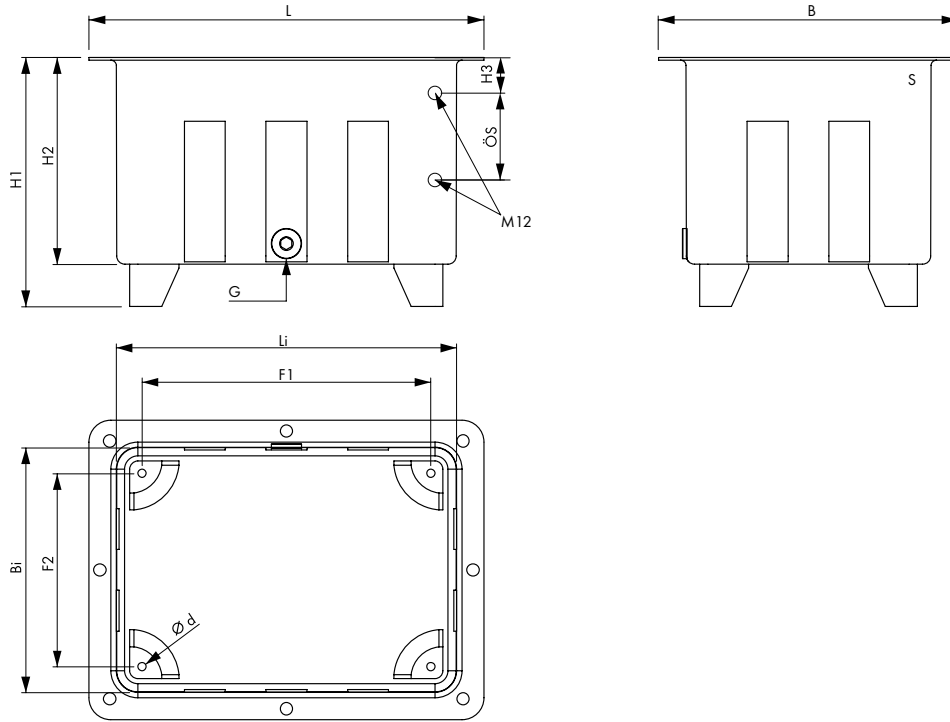
### ACCESSORIES FOR EXTRA CHARGE

- Individual lid machining on request
- Level indicator, filler, desiccant breather

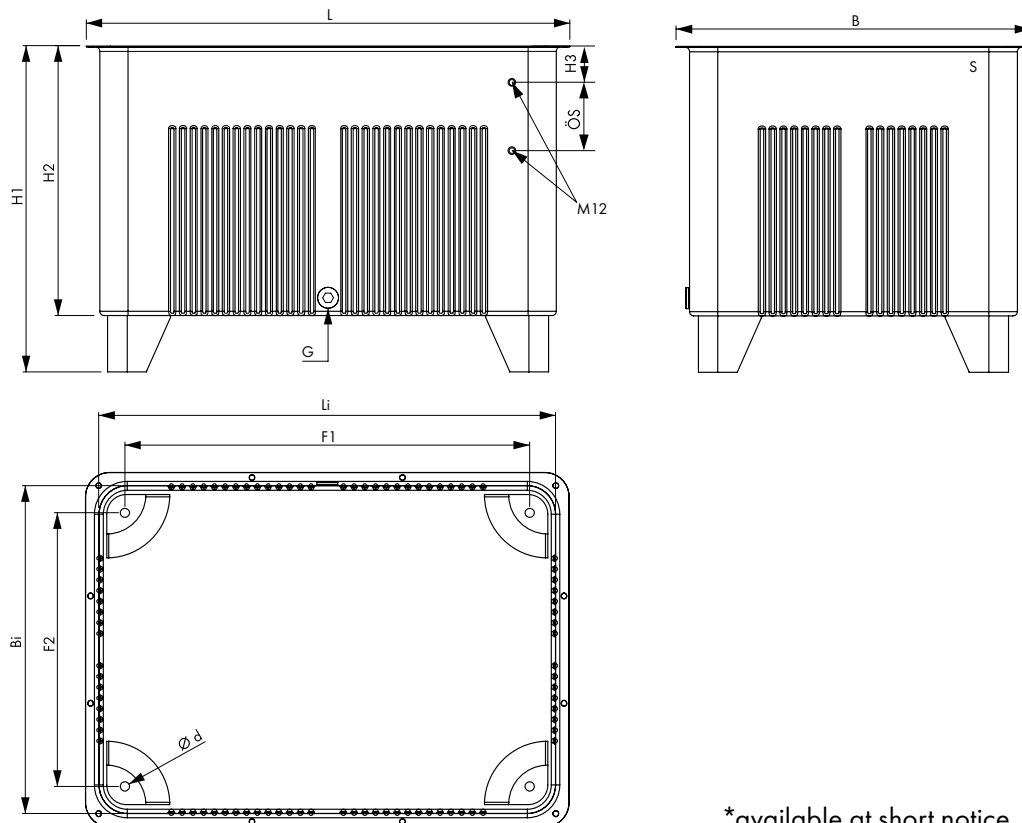
## SERIES WLST

### DIMENSIONS TANKS

#### NG 6 - 100\*



#### NG 160 - 250\*



\*available at short notice

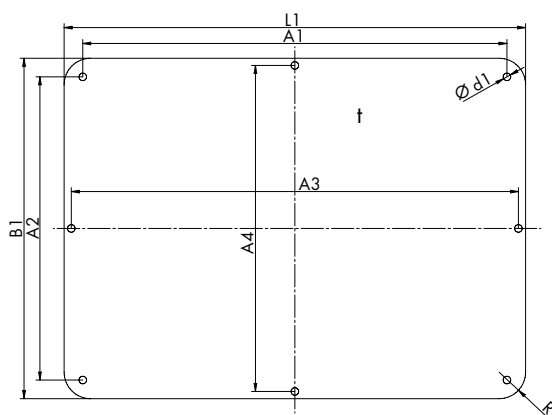
## DIMENSIONS TANKS

Art. No.	Type	Dimensions [mm]													Weight [kg]
		L	B	H1	H2	H3	G	ÖS	Li	Bi	F1	F2	Ø d	S	
1370	WLST 6	290	220	183	152	25	1/2"	*	250	180	212	142	6	2	3.2
1371	WLST 12	350	260	219	182	31	1/2"	76	310	220	265	175	7	2	4.7
1372	WLST 25	440	330	280	232	38	1/2"	76	390	280	338	228	9	2	7.5
1373	WLST 40	510	380	328	272	48	1/2"	127	460	330	400	270	11	2	10.3
1374	WLST 70	610	450	401	332	58	1/2"	127	560	400	490	330	13	2	14.7
1375	WLST 100	680	500	449	372	58	1/2"	127	630	450	556	376	15	2	18.5
1376	WLST 160	780	570	522	432	68	3/4"	127	730	520	645	435	17	2	25.4
1377	WLST 250	900	660	607	502	68	3/4"	127	850	610	753	509	17	2	35.3

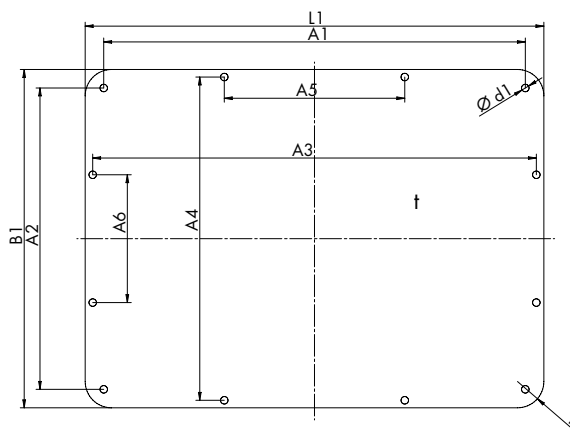
\*on request

## DIMENSIONS LIDS

### NG 6 - 100



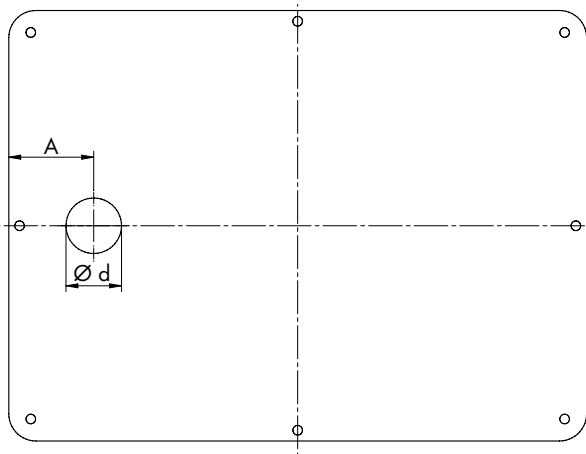
### NG 160 - 250



Art. No.	Type	Dimensions [mm]											Weight [kg]
		L1	B1	A1	A2	A3	A4	A5	A6	R	t	Ø d1	
1370-2	SD6-WLST	290	220	259.5	189.5	274	204	-	-	16	3	6	1.50
1371-2	SD12-WLST	350	260	319.5	229.5	334	244	-	-	16	3	6	2.15
1372-2	SD25-WLST	440	330	401.2	291.2	421	311	-	-	24	3	8	3.40
1373-2	SD40-WLST	510	380	471.2	341.2	491	361	-	-	24	3	8	4.55
1374-2	SD70-WLST	610	450	560.8	400.8	591	431	-	-	35	4	10	8.55
1375-2	SD100-WLST	680	500	630.8	450.8	661	481	-	-	35	4	10	10.60
1376-2	SD160-WLST	780	570	730.7	520.7	761	551	240	170	45	5	10	17.40
1377-2	SD250-WLST	900	660	850.7	610.7	881	641	280	200	45	5	10	23.20

## SERIES WLST

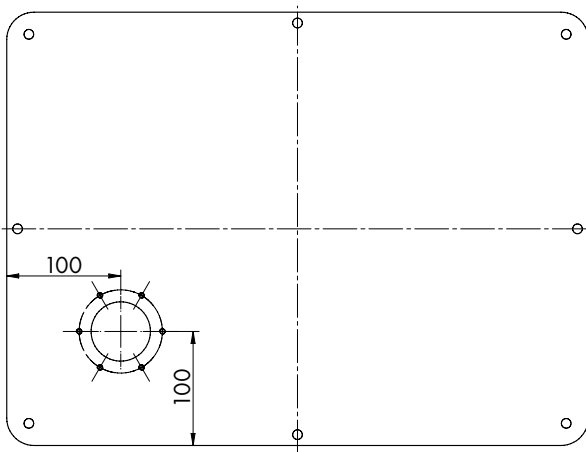
### DIMENSIONS HEATER CONNECTION



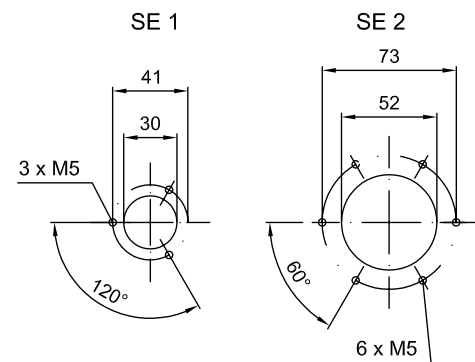
Lid size	Dimensions [mm]		Suitable heaters	
	A	ø d		
SD40-WLST	75	49	1633	1643
SD70-WLST			1634	1644
SD100-WLST			1635	1645
SD160-WLST			1636	1646
SD250-WLST			1637	1647

Tank heater dimensions can be found in chapter "tank heaters" on page 65.

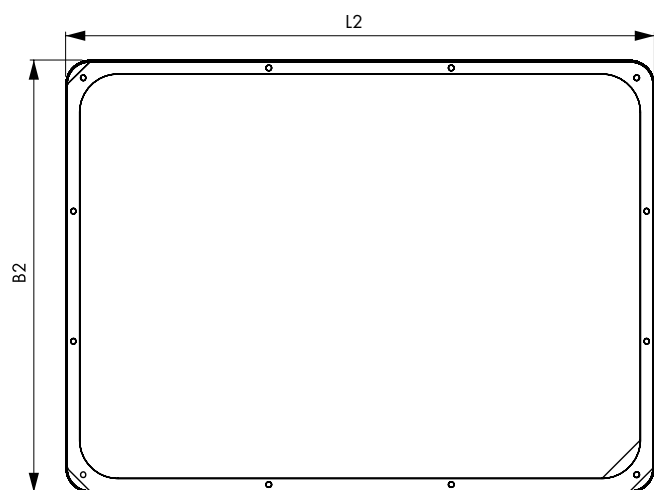
### DIMENSIONS FILLER CONNECTION



Assembly diagram



Tank heater and filler connection also possible in combination.

**DIMENSIONS GASKET**

Art. No.	Type	Dimensions [mm]		Weight [kg]
		L2	B2	
1370-1	D6-WLST	294	224	0.11
1371-1	D12-WLST	354	264	0.12
1372-1	D25-WLST	446	336	0.17
1373-1	D40-WLST	514	384	0.23
1374-1	D70-WLST	614	454	0.33
1375-1	D100-WLST	684	504	0.36
1376-1	D160-WLST	784	574	0.38
1377-1	D250-WLST	904	664	0.40

Online catalogue



[epaper.hbe-hydraulics.com/en](http://epaper.hbe-hydraulics.com/en)

**HBE** hydraulic  
components

HBE GmbH  
Hönnestraße 47  
58809 Neuenrade / Germany  
Phone +49 (0) 23 94 / 616-0  
[info@hbe-hydraulics.com](mailto:info@hbe-hydraulics.com)  
[www.hbe-hydraulics.com](http://www.hbe-hydraulics.com)



A company of  
**e.holding**  
FLUID TECHNOLOGY GROUP

09/23 [www.plakart.de](http://www.plakart.de)