

A close-up, black and white photograph of a metallic structure, likely part of an oil tank. The structure features a series of parallel, diagonal ridges or grooves that create a textured, ribbed appearance. Several bolts or fasteners are visible, securing the structure. The lighting is dramatic, highlighting the metallic sheen and the geometric patterns of the ridges.

# Oil tanks    casted aluminium

## Oil tanks casted aluminium



### Content

Product description / Order code	27
AB 3,5	28
AB 6,5	29
AB 12	30
AB 20	31
AB 30	32
AB 44	33
AB 70	34
Dimensions feet	35
Technical data	35
Dimensions oil sumps	36
General technical information	37

## Oil tanks casted aluminium

### Product description

- Low freight costs and space saving storage due to stackability
- Stable casted body with good heat dissipation by material aluminium and all-round fluting
- From AB 12 with feet and from size AB 44 optional with castors
- Flat gasket between tank lid and tank made of paperboard or rubber cork for AB 3,5 – AB 20
- Toroidal sealing ring (endless, without contact spot) 6 mm ø NBR for AB 30 – AB 70
- On request, all sizes with bores for oil level gauge
- On request, individual lid machining available at short notice
- Short delivery times due to stock availability



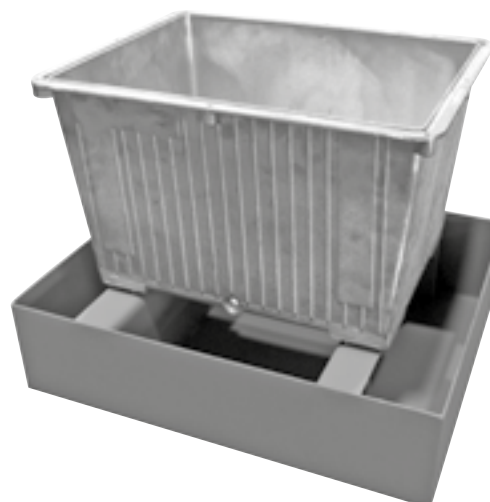
Order code			
Type	Size	Oil level gauge bores	Oil level gauge
AB	44	SB	ÖS 127
	3,5	– =>	without
	6,5	SB =>	with
	12		
	20		
	30		
	44		
	70		

## Oil sumps

### Product description

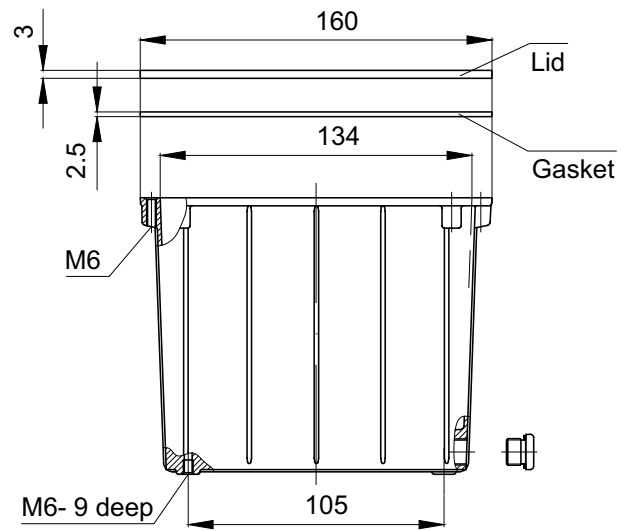
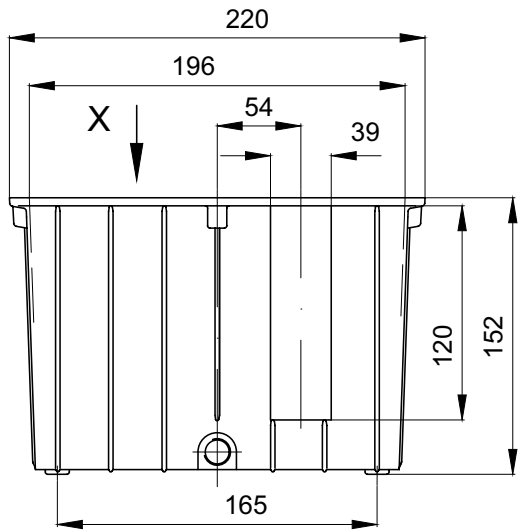
- Oil sumps suitable for aluminium tanks AB 12 – AB 70
- Material S 235 JR (1.0037) sandblasted and oil resistant primed (mineral oil HL / HLP)
- Alternative material VA, 1.4301 or 1.4571
- acc. to AwSV\* under the German Water Resources Act (WHG)

Order code	
Type	Size
ÖW	30

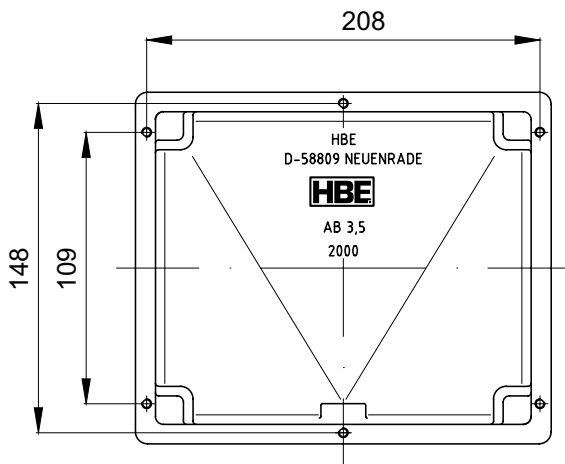


\*The Ordinance on Installations for Handling Substances Hazardous to Water (AwSV)

## Series AB 3,5



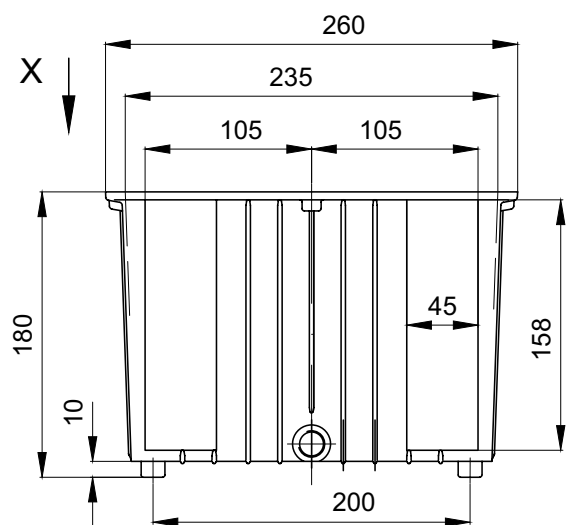
View X



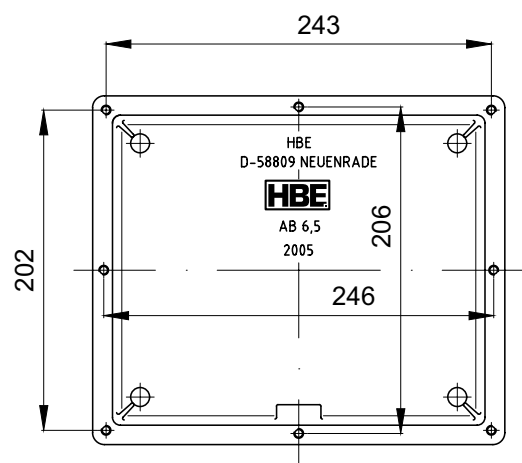
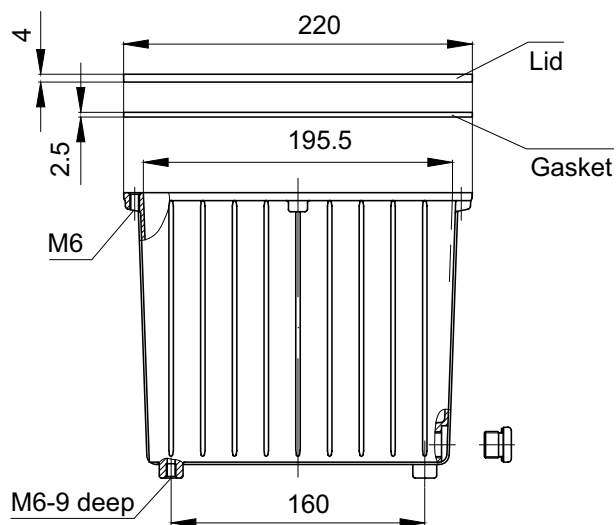
Art. No.	Type	Description
2000	AB 3,5	<b>Tank</b> Net volume approx. 3 l, weight approx. 1.4 kg
2200	SD 3,5	<b>Steel lid</b> machined for mounting on the tank, otherwise unmachined, unprimed or completely machined acc. to customer drawing
2238	D3,5 GK	<b>Flat gasket</b> (rubber cork)
2260	AS G 1/4"	<b>Drain plug</b>
2261	G 1/4"	<b>CU gasket</b> (14 x 18 x 1.5)
2371	SE 1	<b>Filler and breather filter</b> (metal) <sup>1</sup>
2340 / 2341	ÖS 76 / ÖS 76 TH	<b>Level oil gauge (with thermometer)</b> <sup>1</sup>

<sup>1</sup>For technical data, please see chapter "tank accessories" from page 38.

## Series AB 6,5



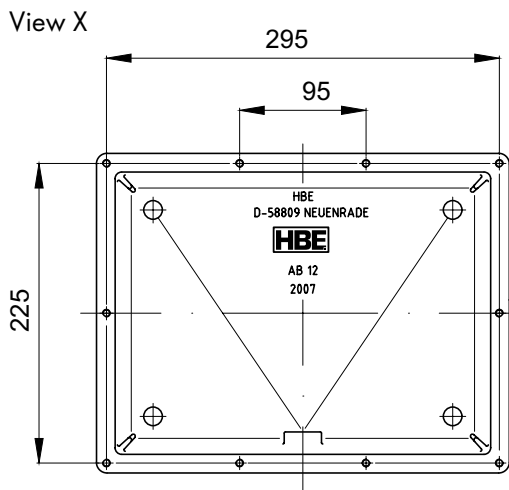
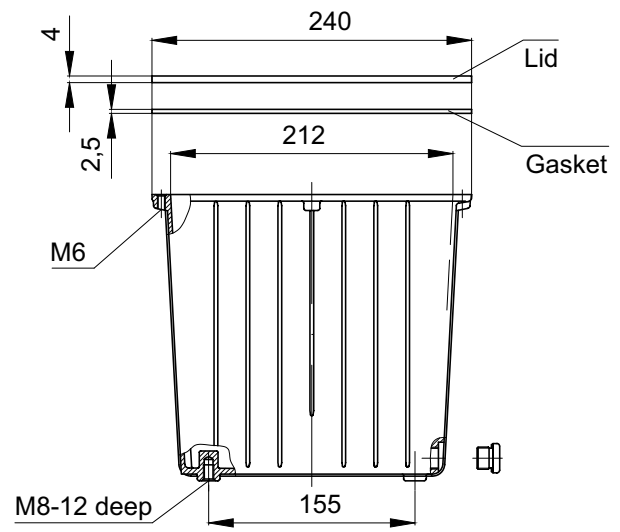
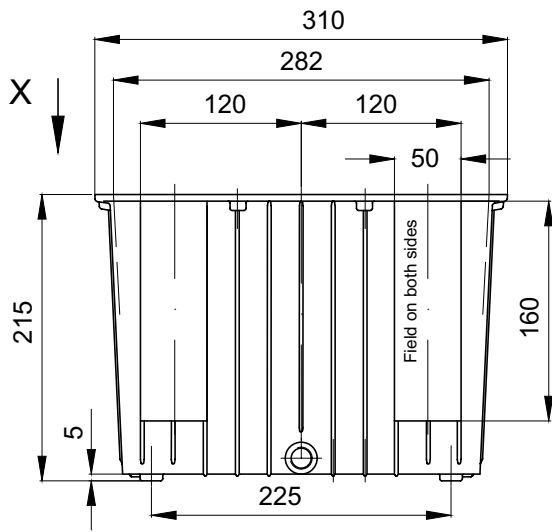
View X



Art. No.	Type	Description
2005	AB 6,5	<b>Tank</b> Net volume approx. 6 l, weight 1.5 kg
2205	SD 6,5	<b>Steel lid</b> machined for mounting on the tank, otherwise unmachined, unprimed or completely machined acc. to customer drawing
2239	D 6,5 A	<b>Flat gasket</b> (paperboard)
2246	D 6,5 GK	<b>Flat gasket</b> (rubber cork)
2262	AS G 3/8"	<b>Drain plug</b>
2267	G 3/8"	<b>CU gasket</b> (16 x 22 x 2)
2371	SE 1	<b>Filler and breather filter</b> (metal) <sup>1</sup>
2340 / 2341	ÖS 76 / ÖS 76 TH	<b>Level oil gauge</b> (with thermometer) <sup>1</sup>
2350 / 2351	ÖS 127 / ÖS 127 TH	<b>Level oil gauge</b> (with thermometer) <sup>1</sup>

<sup>1</sup>For technical data, please see chapter "tank accessories" from page 38.

## Series AB 12

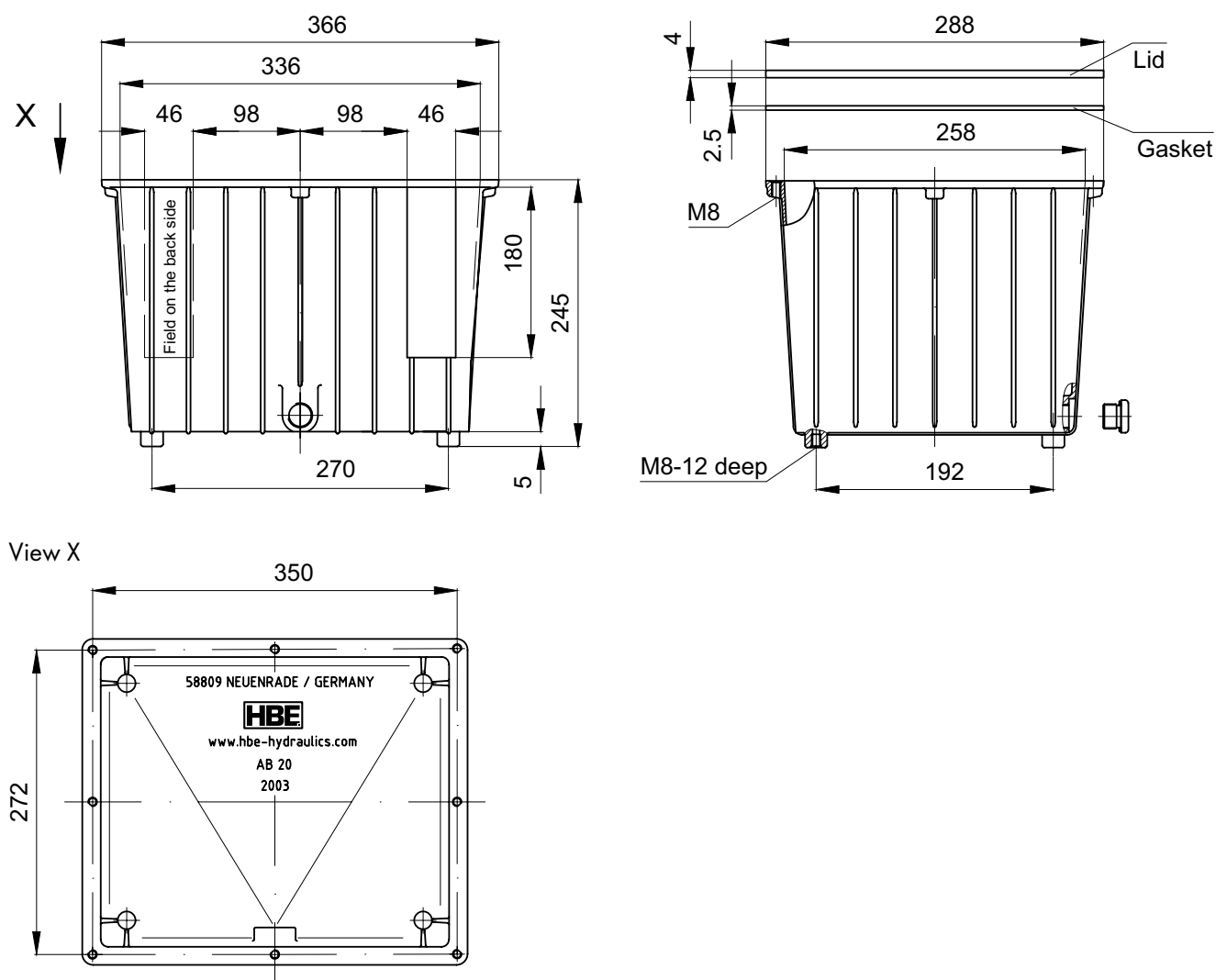


Art. No.	Type	Description
2007	AB 12	<b>Tank</b> Net volume approx. 10 l, weight approx. 2.2 kg
2216	SD 12	<b>Steel lid</b> machined for mounting on the tank, otherwise unmachined, unprimed or completely machined acc. to customer drawing
2236	D 12 A	<b>Flat gasket</b> (paperboard)
2240	D 12 GK	<b>Flat gasket</b> (rubber cork)
2262	AS G 3/8"	<b>Drain plug</b>
2267	G 3/8"	<b>CU gasket</b> (16 x 22 x 2)
2299	F 12	<b>Aluminium feet for AB 12</b> (Set = 4 pcs.) <sup>1</sup>
2371	SE 1	<b>Filler and breather filter</b> (metal) <sup>2</sup>
2340 / 2341	ÖS 76 / ÖS 76 TH	<b>Level oil gauge</b> (with thermometer) <sup>2</sup>
2350 / 2351	ÖS 127 / ÖS 127 TH	<b>Level oil gauge</b> (with thermometer) <sup>2</sup>

<sup>1</sup>Dimensions can be found on page 35.

<sup>2</sup>For technical data, please see chapter "tank accessories" from page 38.

## Series AB 20

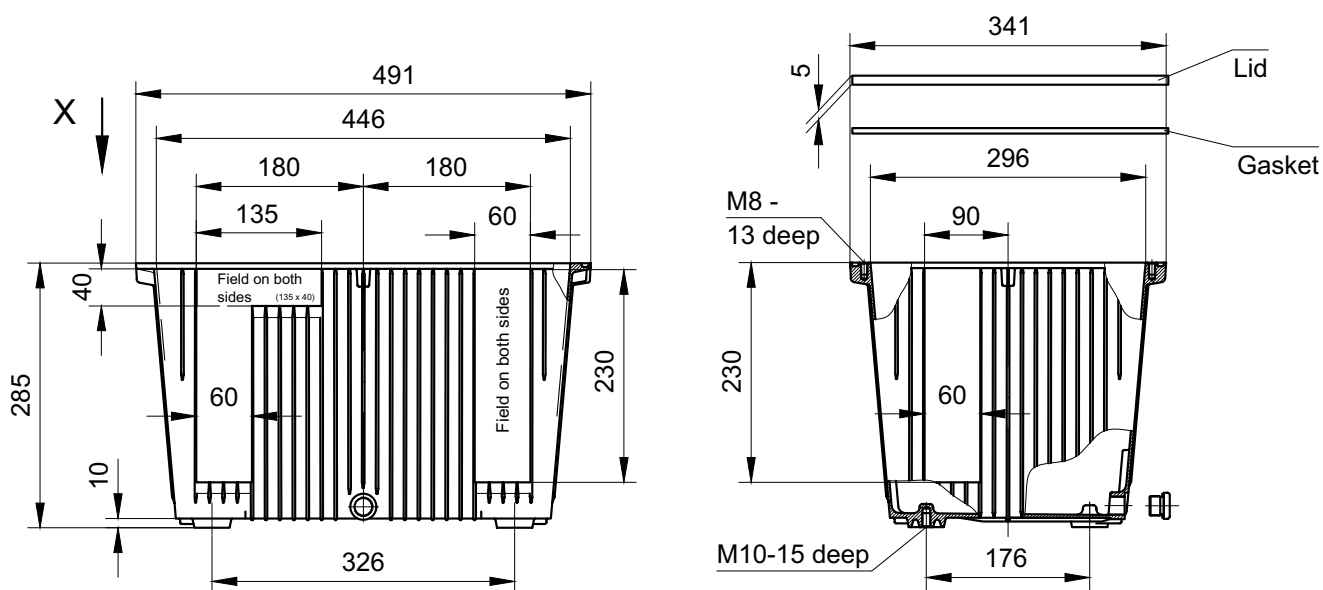


Art. No.	Type	Description
2003	AB 20	<b>Tank</b> Net volume approx. 17 l, weight approx. 3.8 kg
2203	SD 20	<b>Steel lid</b> machined for mounting on the tank, otherwise unmachined, unprimed or completely machined acc. to customer drawing
2233	D 20 A	<b>Flat gasket</b> (paperboard)
2245	D 20 GK	<b>Flat gasket</b> (rubber cork)
2263	AS G 1/2"	<b>Drain plug</b>
2268	G 1/2"	<b>CU gasket</b> (21 x 26 x 1.5)
2299	F 20	<b>Aluminium feet for AB 20</b> (Set = 4 pcs.) <sup>1</sup>
2371	SE 1	<b>Filler and breather filter</b> (metal) <sup>2</sup>
2340 / 2341	ÖS 76 / ÖS 76 TH	<b>Level oil gauge</b> (with thermometer) <sup>2</sup>
2350 / 2351	ÖS 127 / ÖS 127 TH	<b>Level oil gauge</b> (with thermometer) <sup>2</sup>

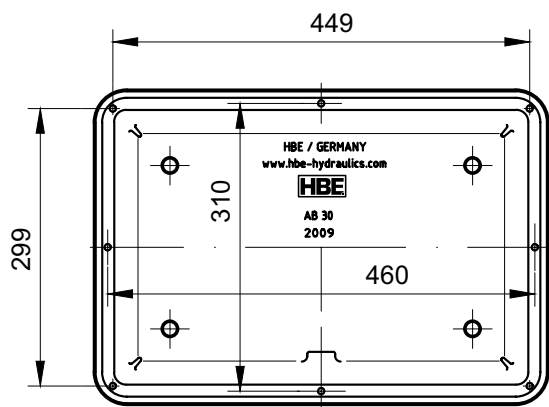
<sup>1</sup>Dimensions can be found on page 35.

<sup>2</sup>For technical data, please see chapter "tank accessories" from page 38.

## Series AB 30



View X



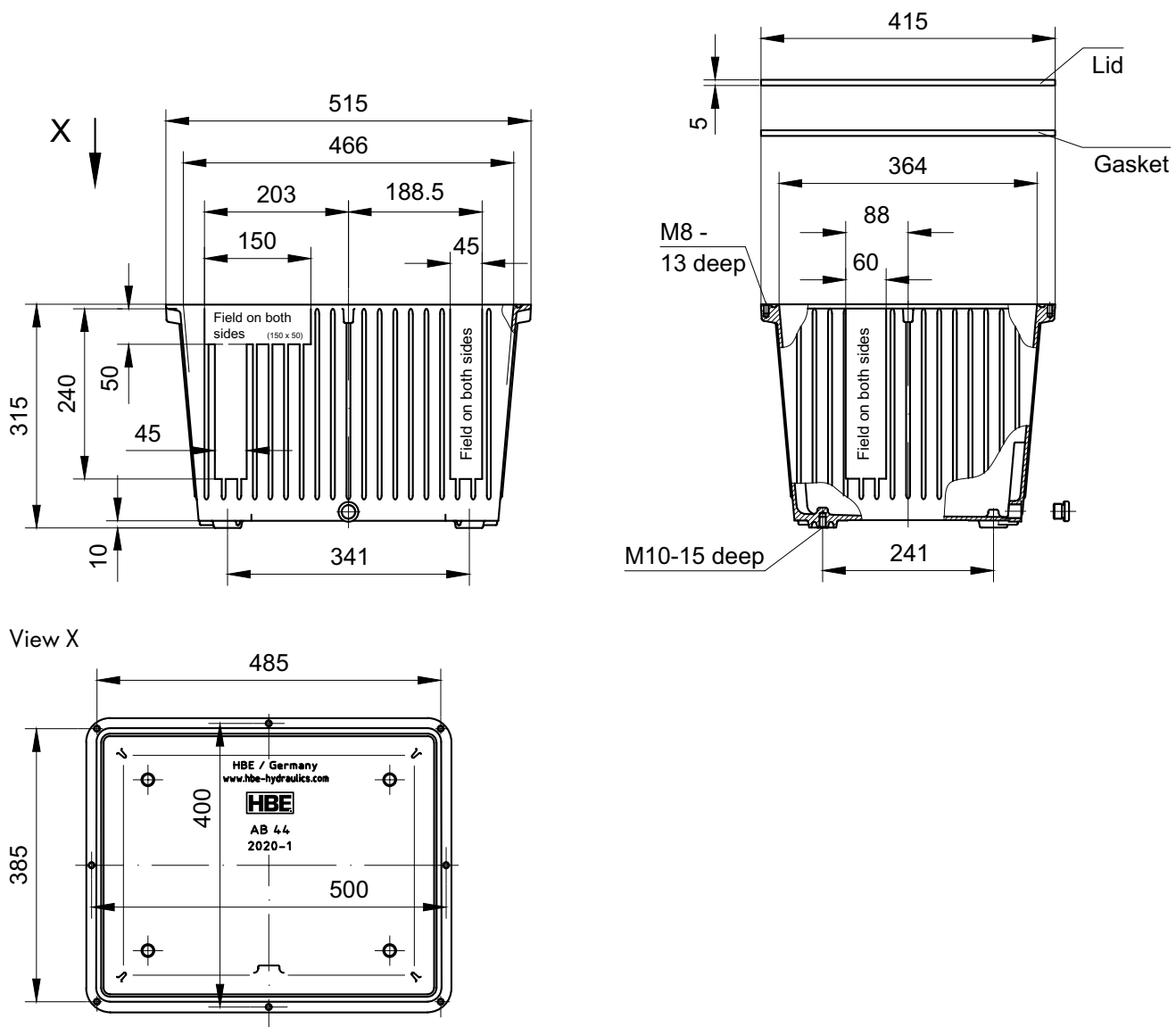
Art. No.	Type	Description
2009	AB 30	<b>Tank</b> Net volume approx. 27 l, weight approx. 5.5 kg
2204	SD 30	<b>Steel lid</b> machined for mounting on the tank, otherwise unmachined, unprimed or completely machined acc. to customer drawing
2214	AD 30	<b>Aluminium lid</b> machined for mounting on the tank, otherwise unmachined, unprimed or completely machined acc. to customer drawing
2234	D 30 NBR	<b>Toroidal sealing ring</b> $\varnothing$ 6 mm NBR
2263	AS G 1/2"	<b>Drain plug</b>
2268	G 1/2"	<b>CU gasket</b> (21 x 26 x 1.5)
2300	F 30	<b>Aluminium feet for AB 30</b> (Set = 4 pcs.) <sup>1</sup>
2372	SE 2	<b>Filler and breather filter</b> (metal) <sup>2</sup>
2340 / 2341	ÖS 76 / ÖS 76 TH	<b>Level oil gauge</b> (with thermometer) <sup>2</sup>
2350 / 2351	ÖS 127 / ÖS 127 TH	<b>Level oil gauge</b> (with thermometer) <sup>2</sup>

<sup>1</sup>Dimensions can be found on page 35.

<sup>2</sup>For technical data, please see chapter "tank accessories" from page 38.



## Series AB 44

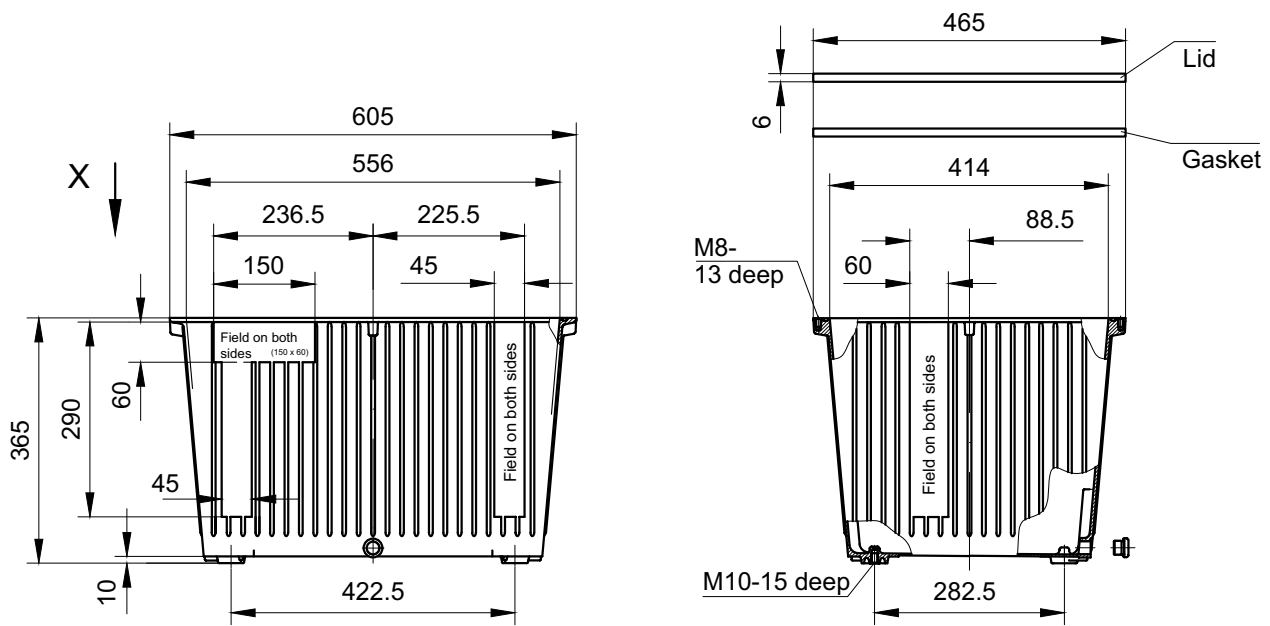


Art. No.	Type	Description
2020-1	AB 44	<b>Tank</b> Net volume approx. 40 l, weight approx. 7 kg
2221	SD 44	<b>Steel lid</b> machined for mounting on the tank, otherwise unmachined, unprimed or completely machined acc. to customer drawing
2241	D 44 NBR	<b>Toroidal sealing ring</b> $\varnothing$ 6 mm NBR
2263	AS G 1/2"	<b>Drain plug</b>
2268	G 1/2"	<b>CU gasket</b> (21 x 26 x 1.5)
2300	F 44	<b>Aluminium feet for AB 44</b> (Set = 4 pcs.) <sup>1</sup>
2372	SE 2	<b>Filler and breather filter</b> (metal) <sup>2</sup>
2340 / 2341	ÖS 76 / ÖS 76 TH	<b>Level oil gauge</b> (with thermometer) <sup>2</sup>
2350 / 2351	ÖS 127 / ÖS 127 TH	<b>Level oil gauge</b> (with thermometer) <sup>2</sup>
2352 / 2355	ÖS 176 / ÖS 176 TH	<b>Level oil gauge</b> (with thermometer) <sup>2</sup>
2384	LR 150	<b>Castors</b> 150 mm

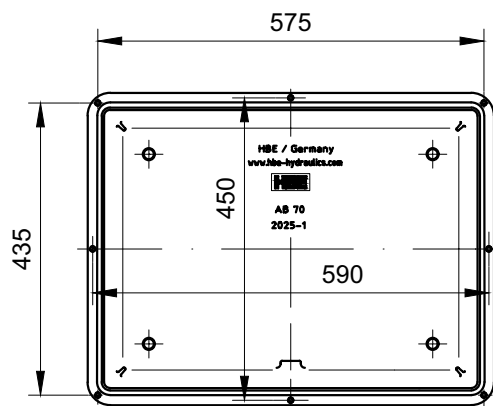
<sup>1</sup>Dimensions can be found on page 35.

<sup>2</sup>For technical data, please see chapter "tank accessories" from page 38.

## Series AB 70



View X



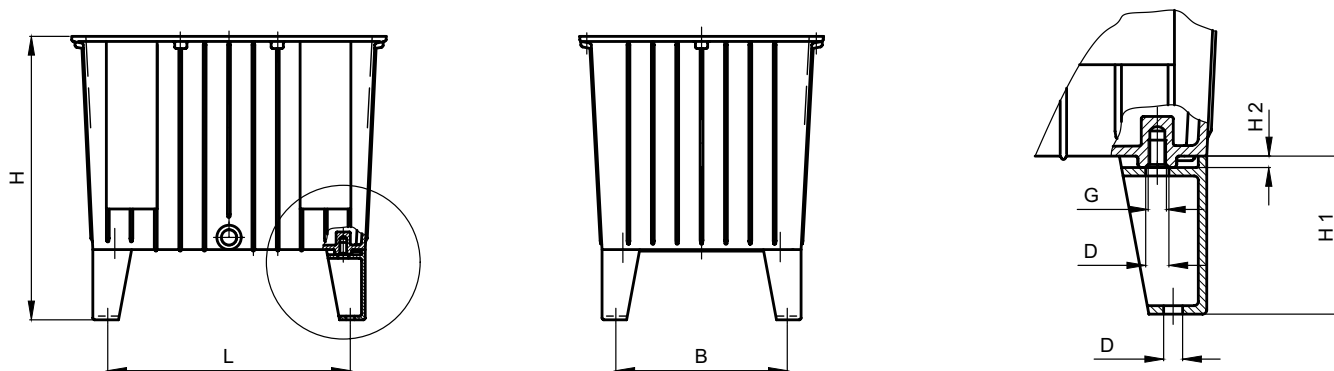
Art. No.	Type	Description
2025-1	AB 70	<b>Tank</b> Net volume approx. 63 l, weight approx. 9 kg
2225	SD 70	<b>Steel lid</b> machined for mounting on the tank, otherwise unmachined, unprimed or completely machined acc. to customer drawing
2242	D 70 NBR	<b>Toroidal sealing ring</b> $\varnothing$ 6 mm NBR
2263	AS G 1/2"	<b>Drain plug</b>
2268	G 1/2"	<b>CU gasket</b> (21 x 26 x 1.5)
2300	F 70	<b>Aluminium feet for AB 70</b> (Set = 4 pcs.) <sup>1</sup>
2372	SE 2	<b>Filler and breather filter</b> (metal) <sup>2</sup>
2340 / 2341	ÖS 76 / ÖS 76 TH	<b>Level oil gauge</b> (with thermometer) <sup>2</sup>
2350 / 2351	ÖS 127 / ÖS 127 TH	<b>Level oil gauge</b> (with thermometer) <sup>2</sup>
2352 / 2355	ÖS 176 / ÖS 176 TH	<b>Level oil gauge</b> (with thermometer) <sup>2</sup>
2384	LR 150	<b>Castors</b> 150 mm

<sup>1</sup>Dimensions can be found on page 35.

<sup>2</sup>For technical data, please see chapter "tank accessories" from page 38.

## Oil tanks casted aluminium

### Dimensions feet



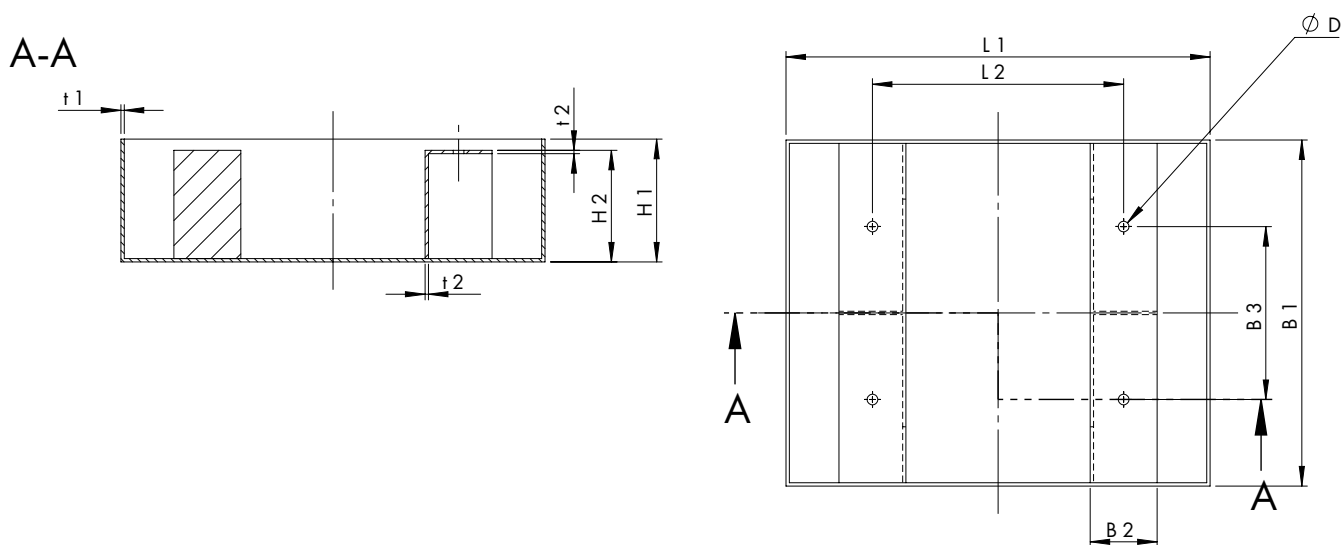
Size	Dimensions [mm]						
	L	B	H	H1	H2	G	D
AB 12	240	170	285	75	5.5	M8	9
AB 20	285	207	315	75	5.5	M8	9
AB 30	366	216	425	150	10	M10	11
AB 44	381	281	455	150	10	M10	11
AB 70	462.5	322.5	505	150	10	M10	11

### Technical data

Size	Net volume V [l]	Specific cooling capacity P / ΔT [W/K]	Cooling capacity at ΔT = 40K P [kW]	Surface with lid [m <sup>2</sup> ]	Weight [kg]
AB 3,5	3	4	0.16	0.15	1.40
AB 6,5	6	9	0.36	0.25	1.50
AB 12	10	15	0.60	0.35	2.20
AB 20	17	18	0.72	0.50	3.80
AB 30	27	23	0.92	0.75	5.50
AB 44	40	26	1.04	1.00	7.00
AB 70	63	29	1.16	1.30	9.00

## Oil tanks casted aluminium

### Dimensions oil sumps



Art. No.	Type	Volume [l]	Dimensions [mm]									
			L1	L2	B1	B2	B3	H1	H2	t1	t2	ø D
1080	ÖW 12 ST	11.8	380	225.0	310	60	155.0	110	100	3	3	9.5
1081	ÖW 20 ST	20.0	570	270.0	350	60	192.0	110	100	3	3	9.5
1082	ÖW 30 ST	33.0	550	326.0	400	60	176.0	160	150	3	5	12.0
1083	ÖW 44 ST	45.0	600	341.0	500	60	241.0	160	150	3	5	12.0
1084	ÖW 70 ST	63.5	730	422.5	580	60	282.5	160	150	3	5	12.0



## General technical information

**Table of resistance against mineral oils and flame resistant fluids**

Product	Material	Medium				
		Hydraulic oil / mineral oil base	HFA	HFB	HFC	HFD, HFD-R, HFD-S, HFD-T
Steel tanks	Steel	●	1	●	●	●
Gasket	NBR	●	●	●	●	●
Gasket	EPDM	●	●	●	●	●
AB tanks	Aluminium	●	●	●	●	●
Gasket	Paperboard	●	●	●	●	●
Gasket	Rubber cork	●	●	●	3	3
Lid SD	Steel	●	1	●	●	●
Oil level gauges						
with gasket	NBR	●	●	●	●	●
with gasket	FPM	●	●	●	●	●
Fillers	ST	●	●	●	●	●
Cleaning covers	Aluminium	●	●	●	●	●
with gasket	NBR	●	●	●	●	●
with gasket	FPM	●	●	●	●	●
with gasket	EPDM	●	●	●	●	●

● = Resistant

● = Not resistant

1 = Priming coat required

2 = If coating required, use epoxy resin

3 = Resistant to oil wetting

### Hydraulic fluids / Main components

**HFA** Oil in water emulsion, water content > 80 %

**HFB** Water in oil emulsion, water content > 40 %

**HFC** Watery polymer solution (water glycol),  
water content > 45 %

**HFD** Synthetic fluids (water free)

**HFD-R** Phosphoric acid ester

**HFD-S** Chlorinated hydrocarbon

**HFD-T** Mixture of HFD-R + HFD-S

Online catalogue



[epaper.hbe-hydraulics.com/en](http://epaper.hbe-hydraulics.com/en)

**HBE** hydraulic  
components

HBE GmbH  
Hönnestraße 47  
58809 Neuenrade / Germany  
Phone +49 (0) 23 94 / 616-0  
[info@hbe-hydraulics.com](mailto:info@hbe-hydraulics.com)  
[hbe-hydraulics.com](http://hbe-hydraulics.com)



A company of  
**e.holding**  
FLUID TECHNOLOGY GROUP