



OIL TANKS
WELDLESS STEEL

OIL TANKS WELDLESS STEEL

OIL TANKS WELDLESS STEEL



CONTENT

Product description / Order code	21
Dimensions tanks	22
Dimensions lids	23
Dimensions gasket	25

SERIES WLST

PRODUCT DESCRIPTION

- Weldless tanks produced by the deep drawing process
- Guarantee a 100% tightness
- High stability and weldless structure
- Thus, the tanks meet highest demands of various hydraulic applications
- Low weights are minimising freight costs
- Epoxy powder coating in RAL 7011 (iron grey) for a high level surface protection and an aesthetic appearance
- Delivery content (standard): NBR lid gasket, blank steel lid, drain plug, bores for level indicator and welded steel feet
- On request: individual machining of tank lids for extra charge
- Specially designed lid gaskets prevent leakage oil dripping down
- Vibration damping characteristics
- Short lead times due to stocking of tank sizes
WLST-6-12-25-40-70-100-160-250



Order code			
Type	Size*	Filler connection**	Heater connection**
WLST	25	EA	HA

* Size corresponds to the net volume of the tank

** optional lid machining

STANDARD DELIVERY CONTENT

- Epoxy powder coating RAL 7011 (iron grey)
- Welded steel feet
- Steel lid
- NBR 70° Shore gasket with oil catcher
- Oil drain plug
- Bores for level indicator

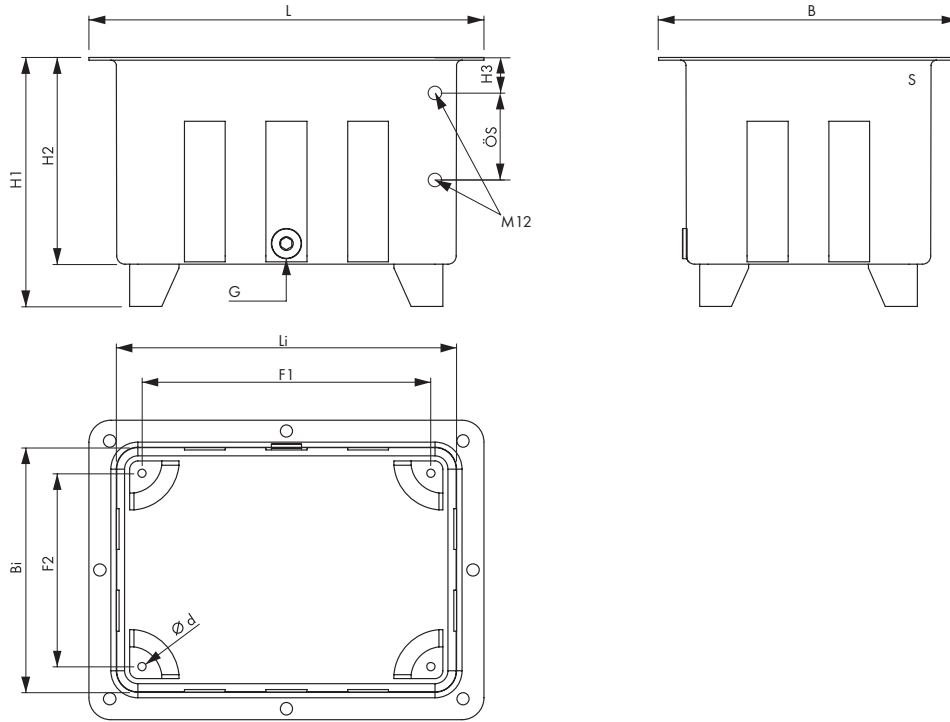
ACCESSORIES FOR EXTRA CHARGE

- Individual lid machining on request
- Level indicator, filler, desiccant breather

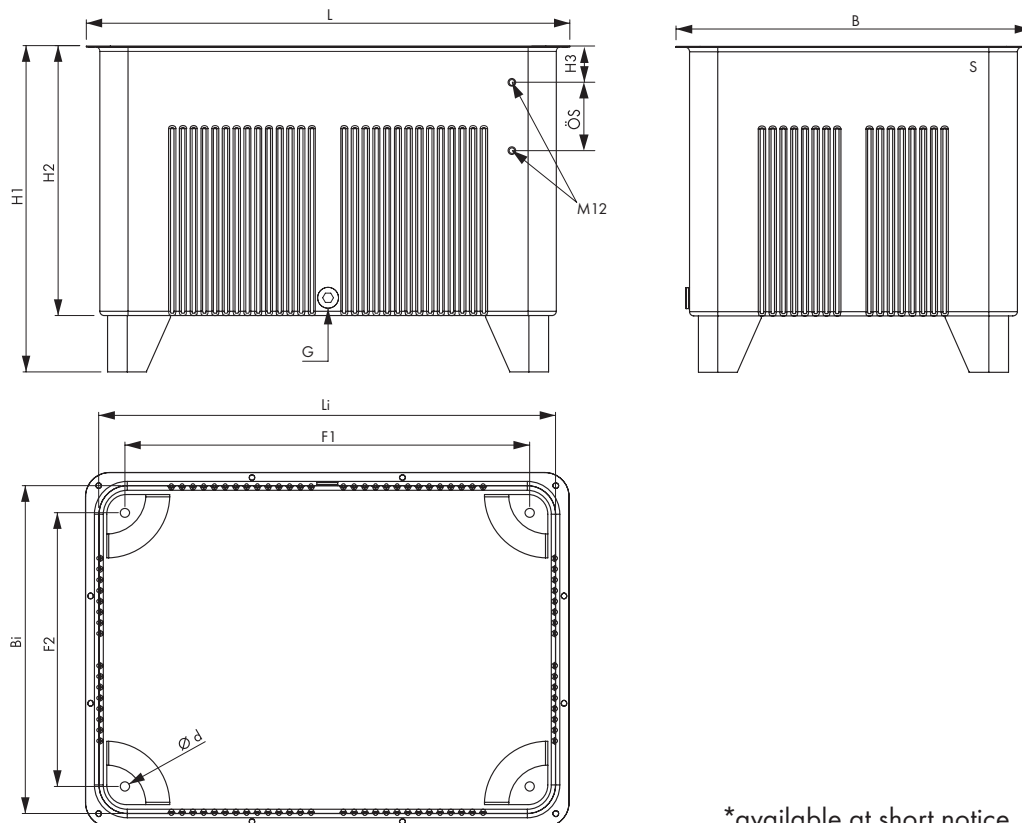
SERIES WLST

DIMENSIONS TANKS

NG 6 - 100*



NG 160 - 250*



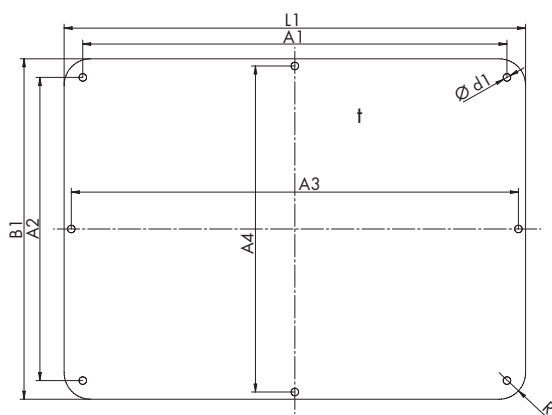
*available at short notice

DIMENSIONS TANKS

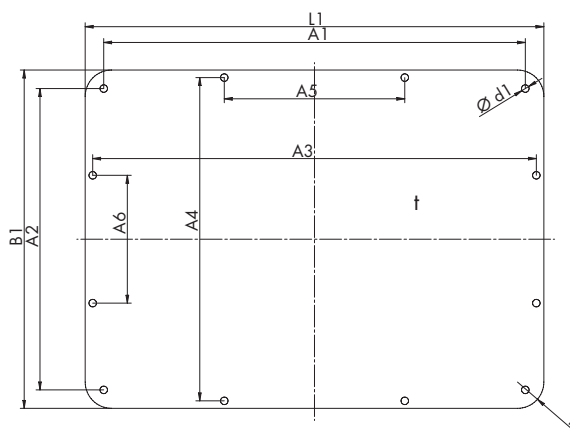
Art. No.	Type	Dimensions [mm]													Weight [kg]
		L	B	H1	H2	H3	G	ÖS	Li	Bi	F1	F2	Ø d	S	
1370	WLST 6	290	220	183	152	25	3/8"	76	250	180	212	142	6	2	3.2
1371	WLST 12	350	260	219	182	31	3/8"	76	310	220	265	175	7	2	4.7
1372	WLST 25	440	330	280	232	38	1/2"	76	390	280	338	228	9	2	7.5
1373	WLST 40	510	380	328	272	48	1/2"	127	460	330	400	270	11	2	10.3
1374	WLST 70	610	450	401	332	58	3/4"	127	560	400	490	330	13	2	14.7
1375	WLST 100	680	500	449	372	58	3/4"	127	630	450	556	376	15	2	18.5
1376	WLST 160	780	570	522	432	68	3/4"	127	730	520	645	435	17	2	25.4
1377	WLST 250	900	660	607	502	68	3/4"	127	850	610	753	509	17	2	35.3

DIMENSIONS LIDS

NG 6 - 100



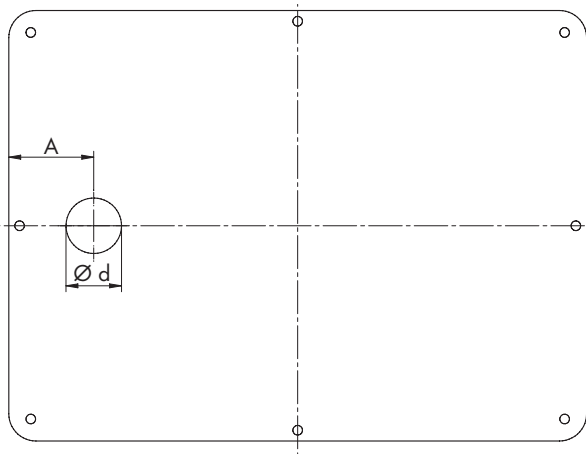
NG 160 - 250



Art. No.	Type	Dimensions [mm]											Weight [kg]
		L1	B1	A1	A2	A3	A4	A5	A6	R	t	Ø d1	
1370-2	SD6-WLST	290	220	259.5	189.5	274	204	-	-	16	3	6	1.50
1371-2	SD12-WLST	350	260	319.5	229.5	334	244	-	-	16	3	6	2.15
1372-2	SD25-WLST	440	330	401.2	291.2	421	311	-	-	24	3	8	3.40
1373-2	SD40-WLST	510	380	471.2	341.2	491	361	-	-	24	3	8	4.55
1374-2	SD70-WLST	610	450	560.8	400.8	591	431	-	-	35	4	10	8.55
1375-2	SD100-WLST	680	500	630.8	450.8	661	481	-	-	35	4	10	10.60
1376-2	SD160-WLST	780	570	730.7	520.7	761	551	240	170	45	5	10	17.40
1377-2	SD250-WLST	900	660	850.7	610.7	881	641	280	200	45	5	10	23.20

SERIES WLST

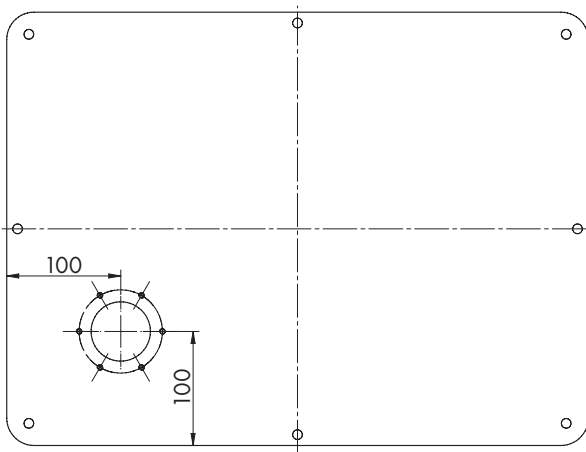
DIMENSIONS HEATER CONNECTION



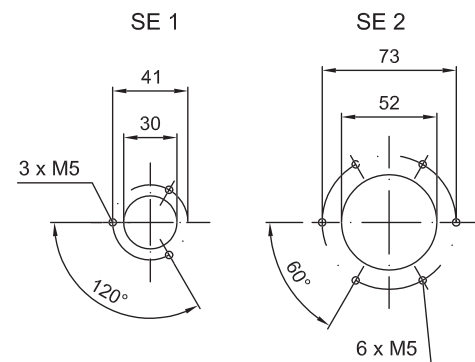
Lid size	Dimensions [mm]		Suitable heaters	
	A	ø d		
SD40-WLST	75	49	1633	1643
SD70-WLST			1634	1644
SD100-WLST			1635	1645
SD160-WLST			1636	1646
SD250-WLST			1637	1647

Tank heater dimensions can be found in chapter "tank heaters" on page 65.

DIMENSIONS FILLER CONNECTION

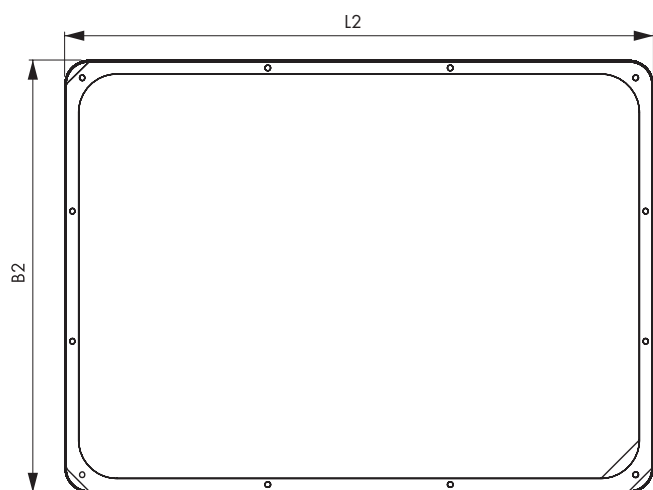


Assembly diagram



Tank heater and filler connection also possible in combination.

DIMENSIONS GASKET



Art. No.	Type	Dimensions [mm]		Weight [kg]
		L2	B2	
1370-1	D6-WLST	294	224	0.11
1371-1	D12-WLST	354	264	0.12
1372-1	D25-WLST	446	336	0.17
1373-1	D40-WLST	514	384	0.23
1374-1	D70-WLST	614	454	0.33
1375-1	D100-WLST	684	504	0.36
1376-1	D160-WLST	784	574	0.38
1377-1	D250-WLST	904	664	0.40

Online catalogue



epaper.hbe-hydraulics.com/en

HBE hydraulic
components

HBE GmbH
Hönnestraße 47
58809 Neuenrade /Germany

Phone +49 (0) 23 94 / 616-0
Fax +49 (0) 23 94 / 616-25
info@hbe-hydraulics.com
www.hbe-hydraulics.com



e.holding
FLUID TECHNOLOGY GROUP
www.e-holding.de

distributed by