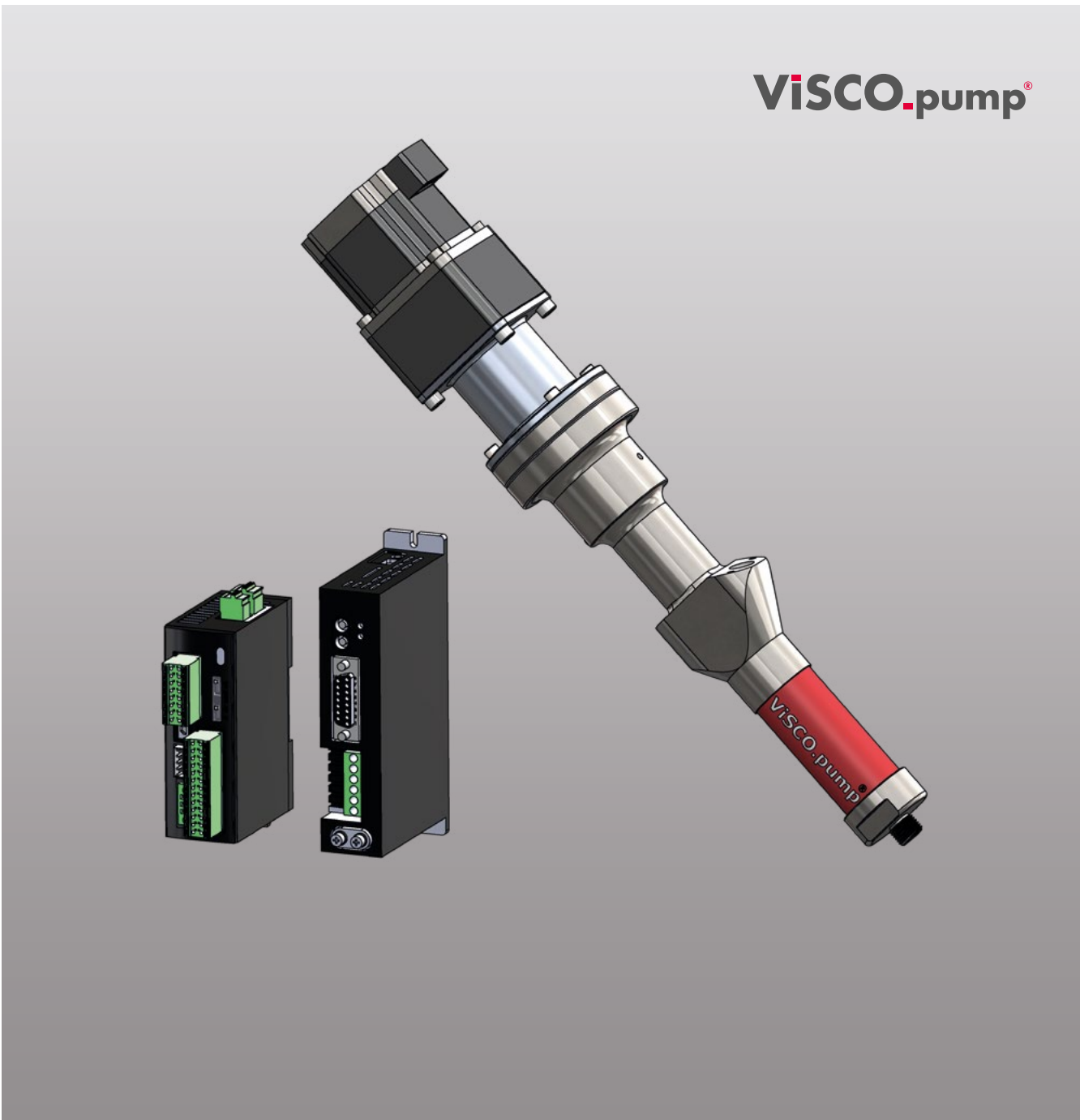
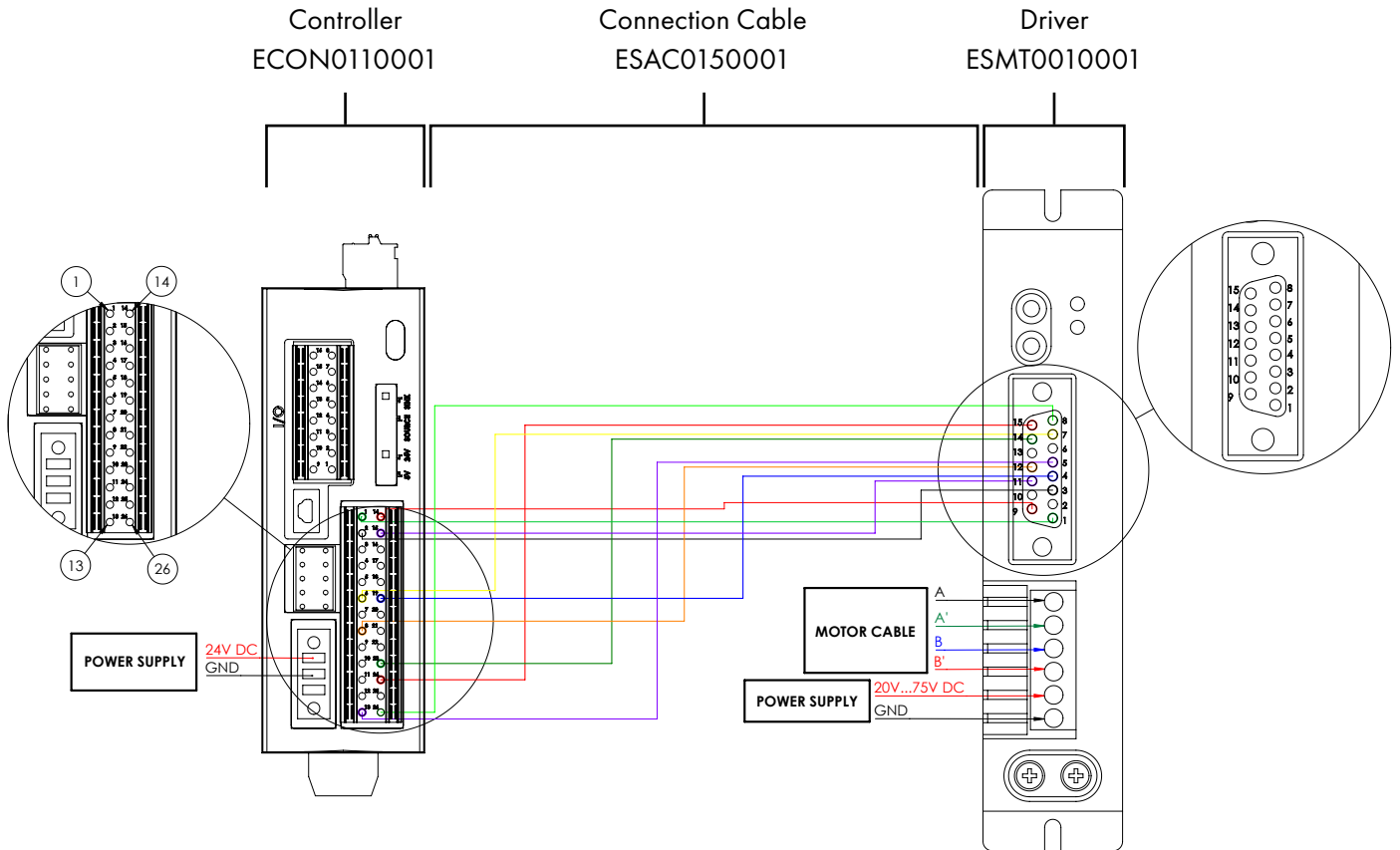


# Controller/Driver instructions



# 1. CONTROLLER & DRIVER MAIN-CONNECTION

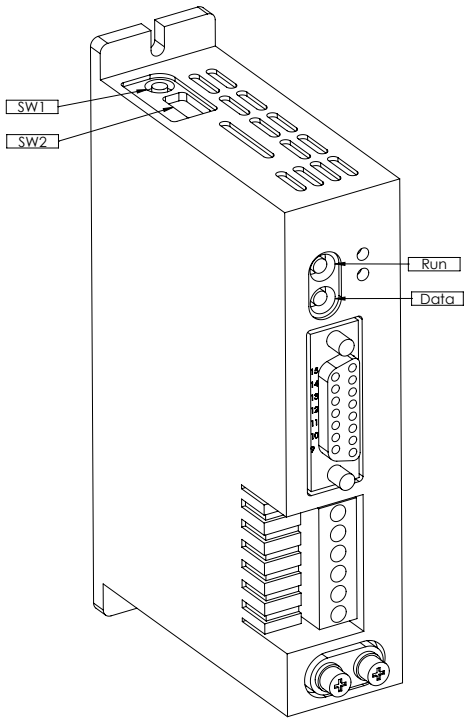


Controller ECON0110001	Driver ESMT0010001
1	1
2	3
6	7
8	12
13	5
14	9
15	11
19	4
23	14
24	15
26	8

Connection Table

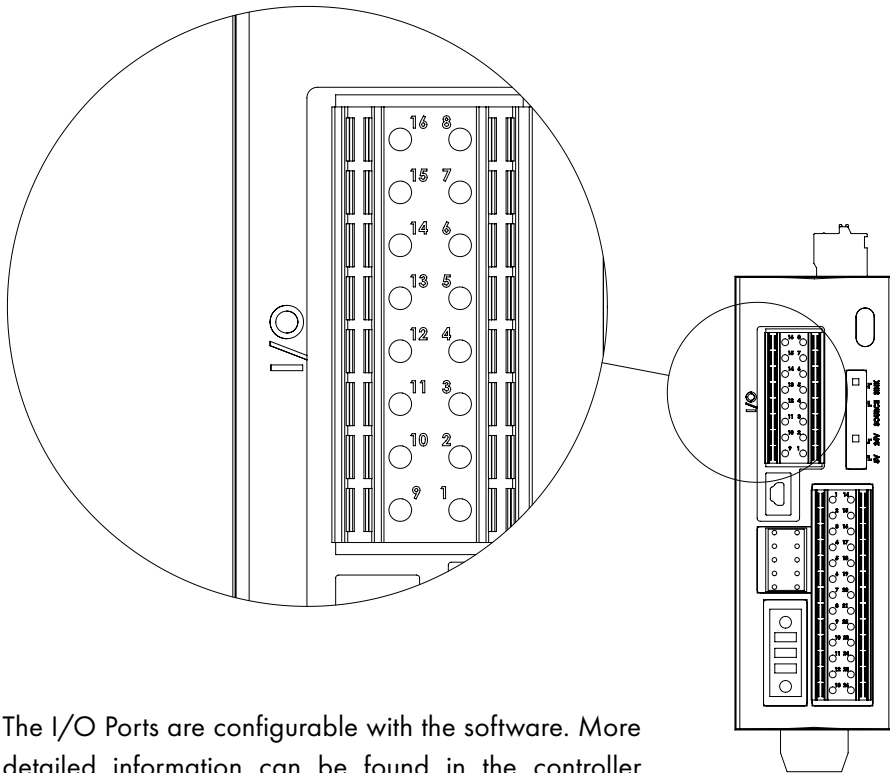
The current publication of this Controller/Driver instructions supersedes all information from previous publications. Beinlich reserves the right to make changes and substitutions. Beinlich is not liable for any printing errors. Reproduction, including excerpts, is permitted only after written approval by Beinlich. Beinlich reserves the right to modify technical data at any time. Last revised: 05/2023

## 2. SWITCHES



Terminal	Description	Value
SW1	Waveform correction	E
SW2-4	Standstill current	On
Run	Motor operation current setting switch	6
Data	Step angle setting switch	9

## 3. CONTROLLER I/O



The I/O Ports are configurable with the software. More detailed information can be found in the controller manual.

**beinlich**.*ump*  
*systems*

Beinlich Pumpen GmbH  
Gewerbestraße 29  
58285 Gevelsberg/Germany  
Phone +49 (0) 23 32 / 55 86 0  
info@beinlich-pumps.com  
www.beinlich-pumps.com



A company of  
**e.holding**  
FLUID TECHNOLOGY GROUP