



Oil tanks steel with few weld seams

Oil tanks
few weld seams

Oil tanks steel with few weld seams



Content

Product description / Order code	21
Dimensions tanks	22
Dimensions gasket	22
Dimensions lids	23

Series WST

Product description

- High rigidity and few weld seams
- Thus, the tanks meet highest demands of various hydraulic applications
- Low weights are minimising freight costs
- Epoxy powder coating in RAL 7011 (iron grey) for a high level surface protection and an aesthetic appearance
- Delivery content: NBR lid gasket, blank steel lid, drain plug, bores for level indicator and welded steel feet
- On request: individual machining of tank lids for extra charge
- Specially designed lid gaskets prevent leakage oil dripping down
- Short delivery times due to stock availability

Order code		
Type	Series	Size*
Tank set	WST	100

Tank set
Tank
Lid
Lid gasket



* Size corresponds to the net volume of the tank

Standard delivery content (Tank set)

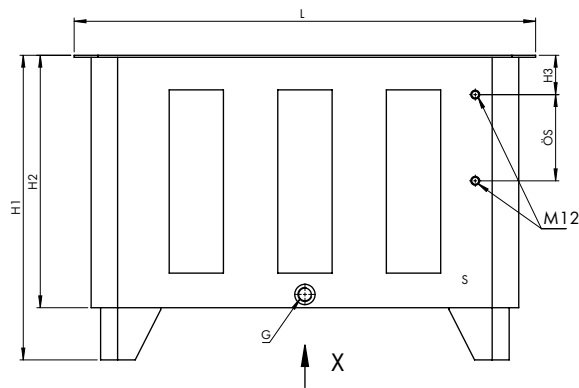
- Powder-coated oil tank
- Blank steel lid
- NBR 70° Shore gasket with oil catcher
- Oil drain plug
- Bores for level indicator

Accessories for extra charge

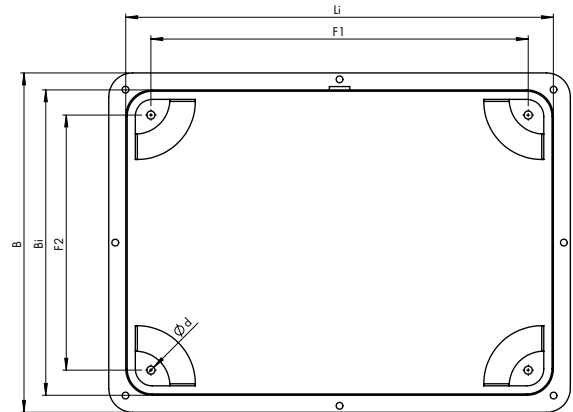
- Individual lid machining
- Level indicator, filler, desiccant breather
- Matching oil sumps

Series WST

Dimensions tanks

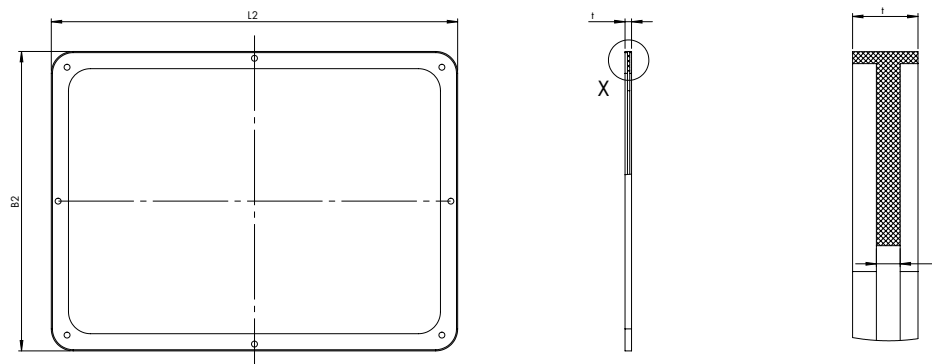


View X



Nominal size [l]	Dimensions [mm]													Weight [kg]
	L	B	H1	H2	H3	G	ÖS	Li	Bi	F1	F2	ød	S	
6	290	220	183	152	25	1/2"	76	250	180	212	142	10	2	3.5
12	350	260	219	182	31	1/2"	76	310	220	265	175	10	2	5.1
25	440	330	280	232	38	1/2"	76	390	280	338	228	12	2	8.1
40	510	380	328	272	48	1/2"	127	460	330	400	270	12	2	11
70	610	450	401	332	58	1/2"	127	560	400	490	330	12	2	16.3
100	680	500	449	372	58	1/2"	127	630	450	556	376	12	2	20
160	780	570	522	432	68	3/4"	127	730	520	645	435	12	2	27.8
250	900	660	607	502	68	3/4"	127	850	610	753	509	12	2	36.5

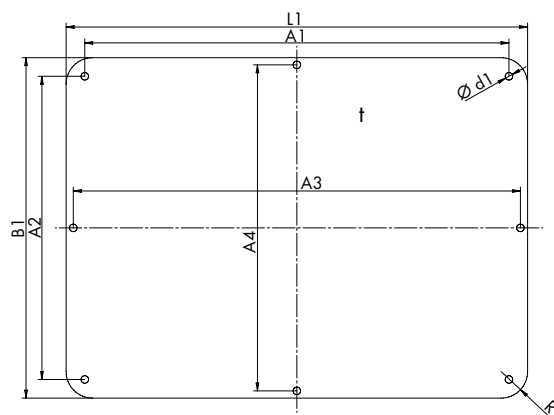
Dimensions gasket



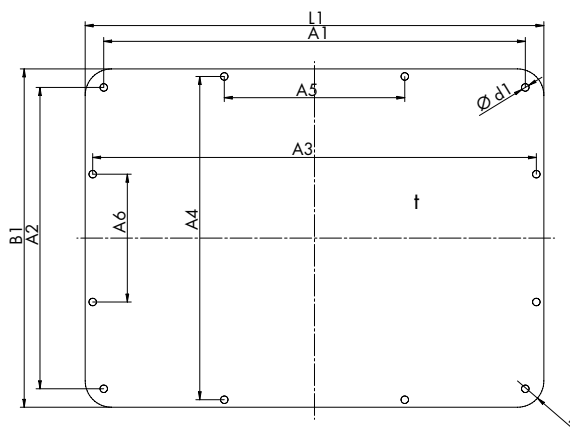
Nominal size [l]	Dimensions [mm]				Weight [kg]
	L2	B2	t	s	
6	294	224	10	4	0.11
12	354	264	10	4	0.12
25	444	334	10	4	0.17
40	514	384	10	4	0.23
70	614	454	11	4	0.33
100	684	504	11	4	0.36
160	784	574	12	4	0.38
250	904	664	12	4	0.40

Dimensions lids

NG 6 - 100



NG 160 - 250



Nominal size [l]	Dimensions [mm]											Weight [kg]
	L1	B1	A1	A2	A3	A4	A5	A6	R	t	ø d1	
6	290	220	259.5	189.5	274	204	-	-	16	3	6	1.50
12	350	260	319.5	229.5	334	244	-	-	16	3	6	2.15
25	440	330	401.2	291.2	421	311	-	-	24	3	8	3.40
40	510	380	471.2	341.2	491	361	-	-	24	3	8	4.55
70	610	450	560.8	400.8	591	431	-	-	35	4	10	8.55
100	680	500	630.8	450.8	661	481	-	-	35	4	10	10.60
160	780	570	730.7	520.7	761	551	240	170	45	5	10	17.40
250	900	660	850.7	610.7	881	641	280	200	45	5	10	23.20

Online catalogue



epaper.hbe-hydraulics.com/en

HBE hydraulic
components

HBE GmbH
Hönnestraße 47
58809 Neuenrade / Germany
Phone +49 (0) 23 94 / 616-0
info@hbe-hydraulics.com
hbe-hydraulics.com



A company of
e.holding
FLUID TECHNOLOGY GROUP